

Pokini

Pokini **Tab K10**
4-Bay Battery Charger

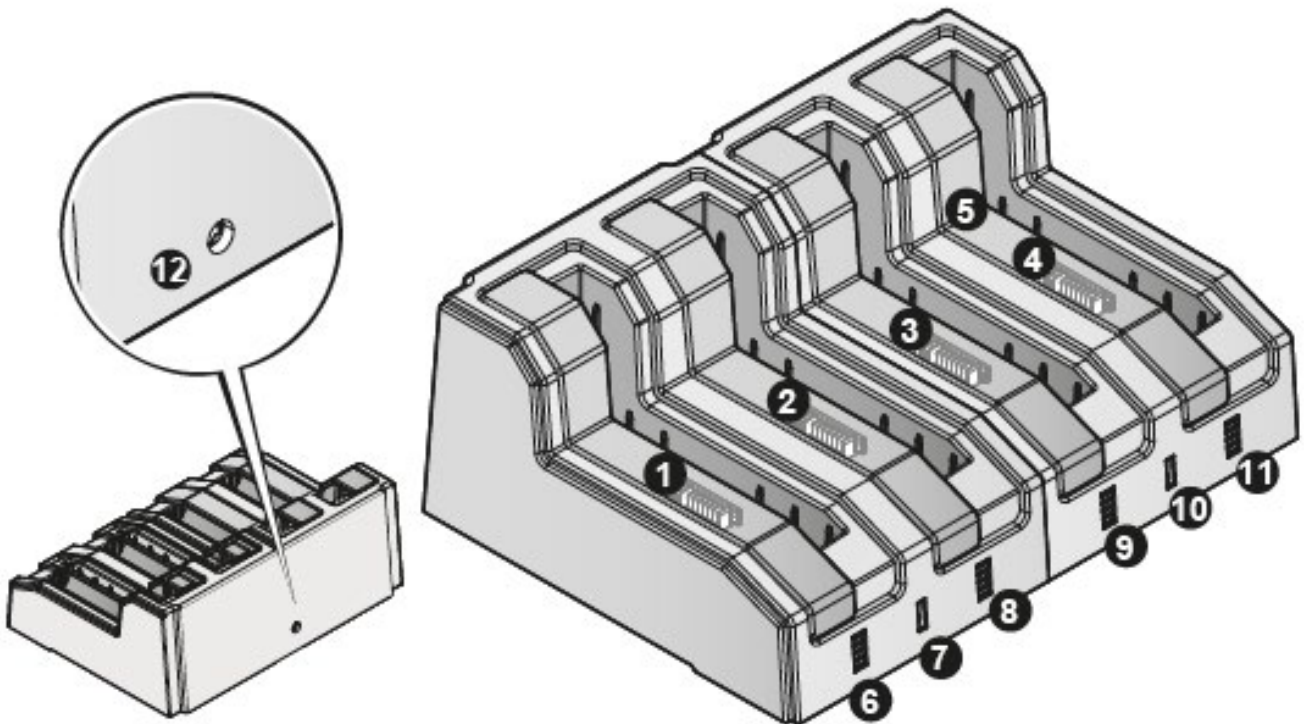


Quick Start Guide

English







Overview

- ❶ Battery contacts 1
- ❷ Battery contacts 2
- ❸ Battery contacts 3
- ❹ Battery contacts 4
- ❺ Battery retention clip
- ❻ Battery status LED 1
- ❼ Power LED 1
- ❽ Battery status LED 2
- ❾ Battery status LED 3
- ❿ Power LED 2
- ⓫ Battery status LED 4
- ⓬ DC-in jack*

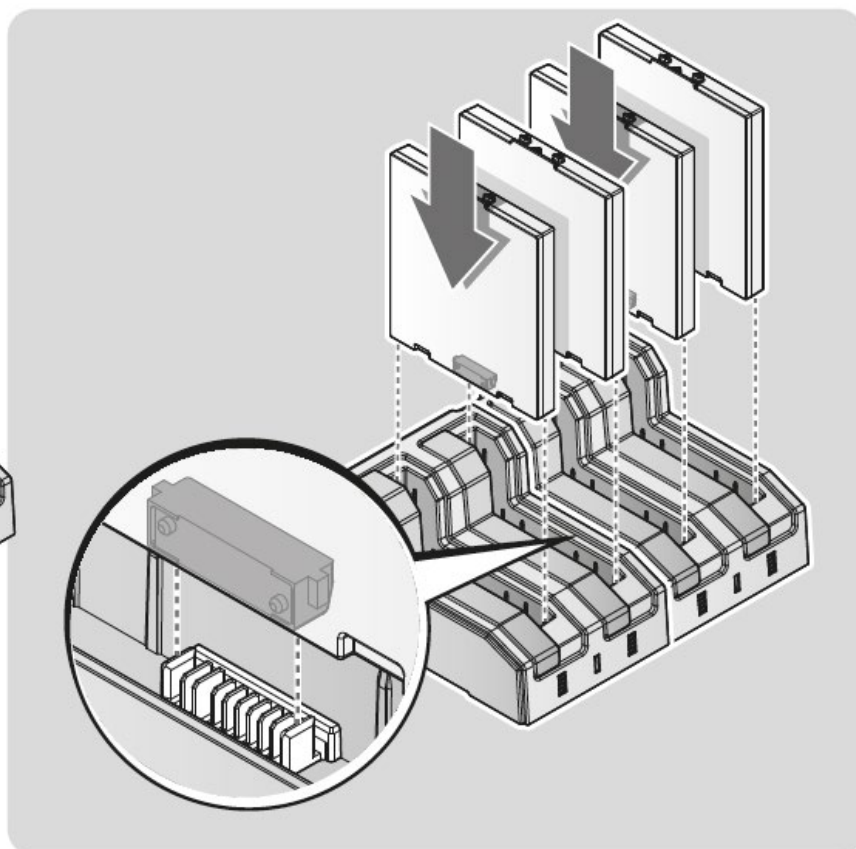
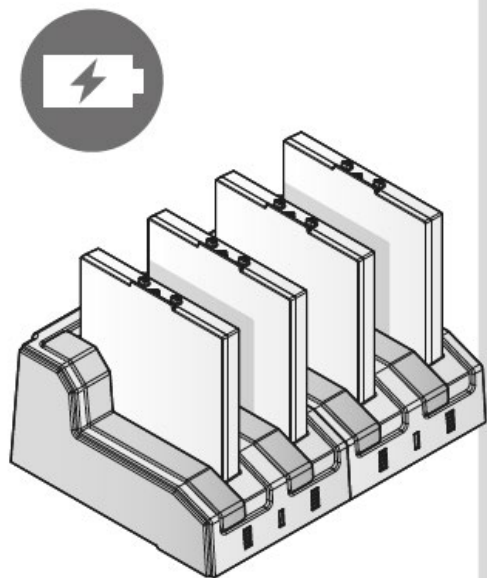


* It only supports the 19VDC (6.32A) AC adapter

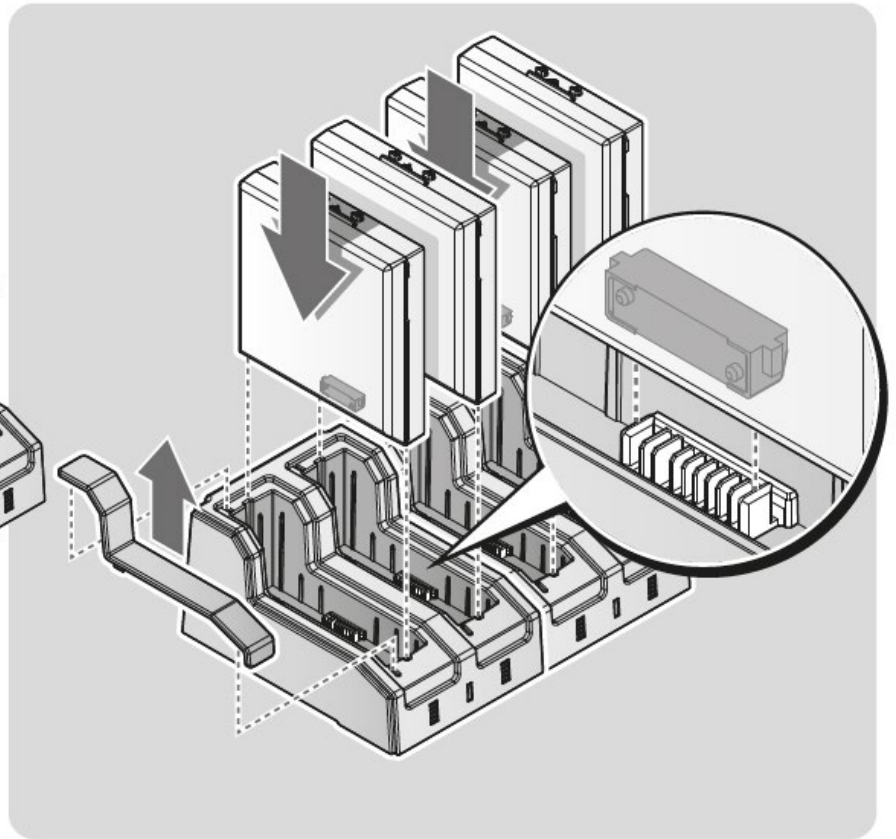
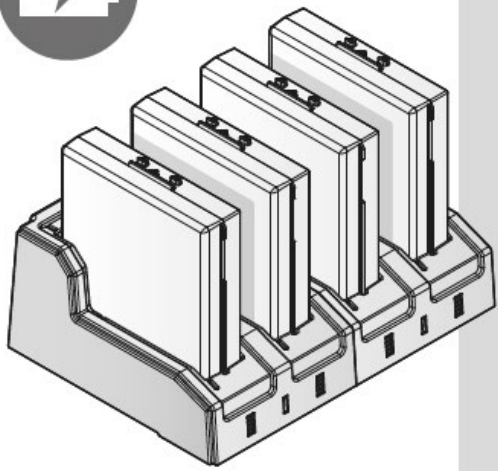
LED Status

	Charge: ~ 20%
	Charge: ~ 40%
	Charge: ~ 60%
	Charge: ~ 80%
	Charge: ~ 100%
	Full charge

Charging 4500mAh battery



Charging 9000mAh battery



Support

You have any technical questions?

If you have problems or questions, please contact us by e-mail:

support@pokini.de

V1.0 / 05-2022

EXTRA Computer GmbH
Brühlstr. 12
89537 Giengen-Sachsenhausen
Deutschland / Germany

all rights reserved

www.pokini.de