

Pokini

Pokini Tab A8B

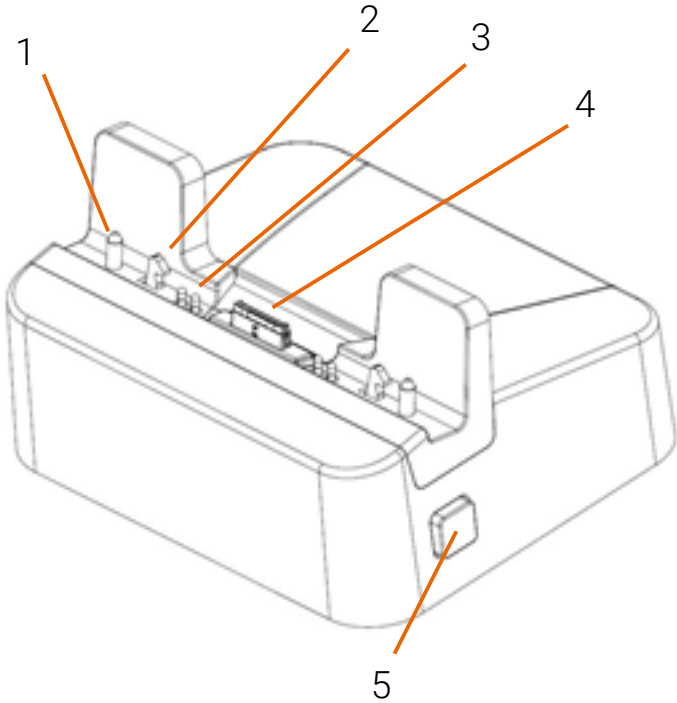
Scanner Frame Dockingstation



Quick Start Guide

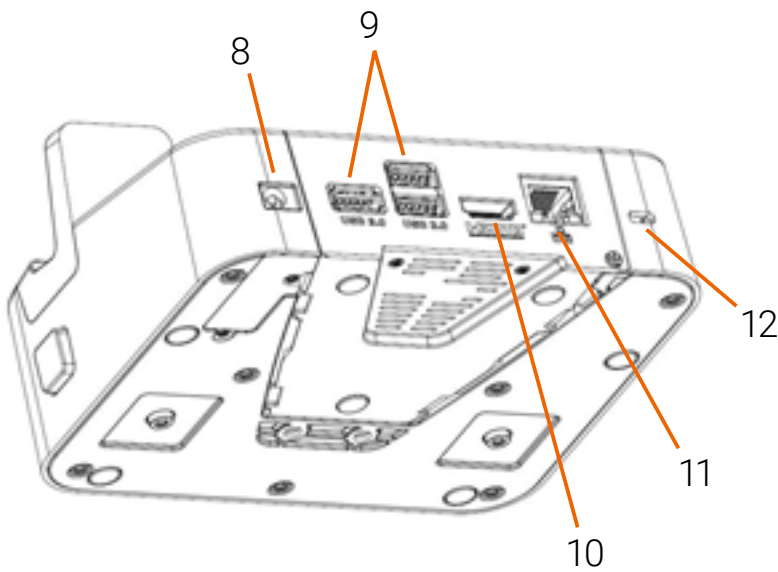
English

Front



- 1 Guiding Pins
- 2 Kensington Lock Hooks*
- 3 Charging Pins
- 4 Docking Connector*/**
- 5 Release Button*
(Push to release docked tablet)

Rear view



- 8 Power supply connector
- 9 USB 3.0 ports*
- 10 HDMI port*
- 11 LAN (RJ45) port*
- 12. Kensington Lock hole

* for full dock/ rugged IO dock only

** Rugged IO dock connector looks different

1. Use of Rugged IO Dock with Scanner Frame

To ensure you have a proper fit of the tablet with the scanner frame in the rugged IO dock, please put the two tablet support block onto the wings on the rugged IO dock.



2. Removal of standard-tablet adapter

To modify the dock for usage with the rugged frame, please remove the adapter. Simply pull up the adapter by pulling on both sides to the top. The adapter is not included in the rugged IO dock.



3. Table mounting of the dock

The dock has two mounting holes integrated that can be used to fix the dock to a table / plate by the use of screws.

In case of the full dock or rugged IO dock, you need to loosen the screw that holds the connector box and carefully pull it backwards slightly to get access to the mounting holes.



4. Important Product and Safety information

- Do not drop, bend or twist your dock. This can break dock internal circuit boards or mechanics.
- Do not try to disassembly your dock. This may damage the device.
- The socket-outlet shall be installed near the equipment and shall be easily accessible.
- Operate your device in a place where temperature is between -10°C and +40°C.
- Store your device in a place where temperature is between -20°C and +60°C.
- Protect your device from water and moisture intake.
- Use only soft, clean and dry lint-free cloth to clean your device.
- Keep the unit and accessories away from small children.
- Switch off your device in any area with a potentially explosive atmosphere.
- Use only power supply delivered with your dock.
- Do not disconnect charger by pulling the cord.
- Do not use damaged power cords or plugs.
- **Save energy.** You can save energy by doing following.
 - Close unused applications and data connections.
 - Decrease screen brightness and sound volume.
 - Deactivate unnecessary sounds like touch panel sound.
 - Disconnect your charger from mains outlet when charger is not needed.
 - Do not keep unnecessary accessories connected in your device.
- **Recycle.** Return your used electronic units to dedicated collection points.

5. EU Declaration of Conformity

Hereby, EXTRA Computer GmbH declares that the radio equipment Pokini Dock is in compliance with Directive 2011/65/EU and 1999/5/EC or 2014/53/EU (2014/53/EU supersedes 1999/5/EC from 13th June 2017).



5. Federal Communications Commission (FCC) Statement

15.105(b)

This equipment has been tested and found to comply with the limits for a Class B digital device, pursuant to part 15 of the FCC rules. These limits are designed to provide reasonable protection against harmful interference in a residential installation. This equipment generates, uses and can radiate radio frequency energy and, if not installed and used in accordance with the instructions, may cause harmful interference to radio communications. However, there is no guarantee that interference will not occur in a particular installation. If this equipment does cause harmful interference to radio or television reception, which can be determined by turning the equipment off and on, the user is encouraged to try to correct the interference by one or more of the following measures:

- Reorient or relocate the receiving antenna.
- Increase the separation between the equipment and receiver.
- Connect the equipment into an outlet on a circuit different from that to which the receiver is connected.
- Consult the dealer or an experienced radio/TV technician for help.

This device complies with Part 15 of the FCC Rules. Operation is subject to the following two conditions:

1. this device may not cause harmful interference and
2. this device must accept any interference received, including interference that may cause undesired operation of the device.

Canada, Industry Canada (IC)

Canada, Industrie Canada (IC)

This Class B digital apparatus complies with Canadian CAN ICES-3 (B)/NMB-3(B) - 2012.

Cet appareil numérique de classe B est conforme à la norme CAN ICES-3 (B)/NMB-3(B) - 2012.

Support

You have any technical questions?

If you have problems or questions, please contact us by e-mail:

support@pokini.de

V1.0 / 10-2021

EXTRA Computer GmbH
Brühlstr. 12
89537 Giengen-Sachsenhausen
Deutschland / Germany

all rights reserved

www.pokini.de