

**Pokini**

# Pokini **F2**



## **Manual**

**English**

The contents were created with special care. However, no liability can be assumed for errors that are still present and their effects. We will gladly take up and implement recommendations for the improvement of this manual.

All rights reserved. Any use of extracts in any form (digital or print) must be approved in writing by EXTRA Computer GmbH.

Pokini is a registered trademark of EXTRA Computer GmbH and is subject to copyright protection.

This user guide has been prepared and published by:

EXTRA Computer GmbH  
Brühlstraße 12  
89537 Giengen

phone: 07322 / 96 15 - 0  
fax: 07322 / 96 15 - 290  
mail: [info@exone.de](mailto:info@exone.de)

<b>Instructions</b>	<b>4</b>
Safety instructions	4
Warranties	6
Disposal of old equipment	6
CE marking	7
<b>Unpacking and installation</b>	<b>8</b>
<b>Introduction</b>	<b>10</b>
1.1 Package contents	10
1.2 Hardware specifications	11
1.3 Features	13
<b>Quick start guide</b>	<b>15</b>
2.1 Connecting Pokini F	
2.3 Booting Windows	
<b>Service</b>	<b>16</b>
3.1 Access to storage, SIM, miniPCIe and battery	
3.2 To access RAM	
<b>BIOS</b>	<b>18</b>
<b>Drivers</b>	<b>18</b>
<b>Support</b>	<b>20</b>

# Safety instructions

Please note the following safety instructions before using your new system:



The socket, to which your PC is connected, should be protected with a maximum of 16A in the electro-installation. **ATTENTION!** Your computer contains a lithium battery. Incorrect replacement of the battery may result in a risk of explosion. Replacement only by the same, or a equivalent type recommended by the manufacturer. Please do not dispose of used batteries over household waste. Use the service of specialized stores that carry out the exchange.



Do not place the PC near a high heat source.  
The ambient temperatures:

in operation	-40 °C to +70 °C
out of operation, storage	-40 °C to +70 °C



Never use the PC in a damp environment or near water.

IP protection class: **IP30**  
Protected against solid foreign bodies  
with a diameter of 2.5 mm or more.



The mains plug serves as a disconnect point to the supply network (220V). Therefore the socket should be close to the system (max. 1.5 m) and easily accessible. It is recommended to use a socket strip with overvoltage protection Peripheral devices. Please do not place any objects on the power cord and lay it over.



Repairs may only be carried out by qualified personnel.



If you want to clean the system, do not use liquid cleaners or cleaning sprays. The cleaning is best done with a damp cloth.



During transport, the system should be packaged in a shock-proof package. The original packaging offers the most ideal conditions.

# Warranties

The warranty agreement of the BGB applies to all systems. The system you purchased was produced in our ISO 9001 certified company in an environmentally sound and quality environment.

## Disposal of old equipment

All systems and the components installed therein are mainly made of recyclable materials. At the end of the life cycle, the system is taken back and properly recycled or disposed of. To return a device, please use the recycling and disposal facilities available in your country.

We have contractually committed all manufacturers and suppliers to deliver to us only products that comply with the currently valid laws. This applies in particular to the two EU directives WEEE and RoHs. Since not every manufacturer can register in Germany beyond the national boundaries, EXTRA Computer GmbH has assumed the responsibility for the disposal in cases and registered with the EAR. EXTRA Computer GmbH is located at the EAR (Waste electrical register)  
The following number: WEEE Reg. DE 57965674

This ensures that our products are registered according to the specifications and comply with the current laws. For you as a customer of EXTRA Computer GmbH does not incur any additional costs for distribution in Germany, unless you yourself are a manufacturer in the sense of the ElektroG.

For further information on the ElektroG you can find here:

**[www.stiftung-ear.de](http://www.stiftung-ear.de)**

Under Q&A you will find sorted by keywords the latest information.

# CE marking



We declare that the Pokini F2 appliance is in compliance with the essential requirements and other relevant provisions of Directives 2014/53/EU, 2009/125/EC and 2011/65/EU.

<b>Frequency</b>	<b>Frequency range</b>	<b>max. transmitting power</b>
2,4 GHz	2400 – 2483 MHz	100 mW
5 GHz	5150 – 5350 MHz	200 mW
	5470 – 5725 MHz	1000 mW

In the 5 GHz band for WLAN, the range from 5150 MHz to 5350 MHz is intended for indoor use only. This restriction or requirement applies in the countries AT, BE, BG, CH, CY, CZ, DE, DK, EE, EL, ES, FI, FR, HR, HU, IE, IS, IT, LI, LT, LU, LV, MT, NL, PL, PT, RO, SE, SI, SK, TR, UK.

You can find up-to-date information about possible restrictions on the operation at the appropriate authority in the respective country. If your country is not listed in the list, please check with the relevant supervisory authority to determine whether the use of this product is permitted in your country.

The Pokini F2 Declaration of Conformity can be found at:

<https://drive.exone.de/s/z9PsamkbR7Q6aia?path=%2FPokini%2FIndustrie-PCs%2FPokini%20F2>

Or simply scan the QR code.



# Unpacking and installation

- Check the contents of the package for any transport damage
- Match the delivery with your purchase order

In the case of transport damage, faulty deliveries or questions, please contact your local Pokini dealer immediately. The original packaging of the equipment should be kept for transport.

## Disposal packaging material

The packaging carton and all cardboard parts can be disposed of the waste paper. The PE foam parts (transport protection of the computer) can be fed to the yellow sack\* (\*e.g. in germany) or other plastic recycling.

## Position the system

- Lay the cables so that they do not create a hazard (danger of tripping) and are not damaged.
- **DANGER:** In order to avoid the risk of electric shock, this device may only be connected to a power supply with protective conductor.
- **ATTENTION:** Your computer contains a lithium battery. Incorrect replacement of the battery may result in a risk of explosion. Replacement only by the same or a equivalent type recommended by the manufacturer. Please do not dispose of used batteries over household waste. Use the service of specialized stores that carry out the exchange.
- In case of emergency (eg damage to the housing, controls or power supply, if liquids or foreign bodies are penetrated) switch off the device immediately, disconnect the mains plug and inform your dealer or system partner.



- The device is not waterproof! Never immerse the appliance in the water and protect it from splashing water (rain, sea water).
- The intended operation of the device is guaranteed only with a fully assembled housing and built-in covers for installation areas (electrical shock, cooling, fire protection, interference suppression).
- When using an extension cable or a power strip, make sure that the extension cable or the power strip is suitable for the product. If you have any questions, please contact your dealer or system partner.
- Use accessories supplied with the device or component.

# Introduction

## 1.1 Package contents



1. Pokini F2 computer
2. 12V DC power supply
3. Power cord with EU & UK adapter
4. HDMI – DVI adapter
5. WiFi-antennas (in Pokini WLAN models)
6. 3.5 mm to RCA cable
7. Mini-serial to DB-9 adapter cable

### To use Pokini, you need:

- A display with miniDP- or HDMI-input and a miniDP / HDMI cable
- USB keyboard and mouse

## 1.2 Hardware specifications

### Hardware

<b>CPU</b>	Intel Apollo Lake (Atom   Celeron   Pentium) Dual-core or quad-core
<b>Memory</b>	1x SO-DIMM 204-pin DDR3L SDRAM Bis zu 16GB Non-ECC DDR3L-1866 (1.35V)
<b>Storage</b>	1x M.2 M-key 2242   2260 Optional eMMC Optional 2.5" HDD   SSD
<b>Display &amp; Graphics</b>	HDMI 1.4b up to 3840 x 2160 @ 30Hz DisplayPort 1.2 up to 4096 x 2160 @ 60 Hz (via Mini DP connector)
<b>Audio</b>	Realtek ALC1150 HD audio codec Analog stereo output   Digital 7.1 channels S/ PDIF output (3.5mm) Analog stereo microfon input (3.5mm)
<b>Networking</b>	2x Intel I211 GbE controller (RJ-45) WLAN 1x M.2 E-key 2230 slot (optional)
<b>USB</b>	2x USB 3.0, 2x USB 2.0
<b>Serial</b>	1x Sserial connector COM1: RS232 via mini serial connector
<b>SD</b>	-
<b>Others</b>	FACET rev 2 connector (PCIe x2, USB2.0, eDP1.3, I2S, I2C, UART)

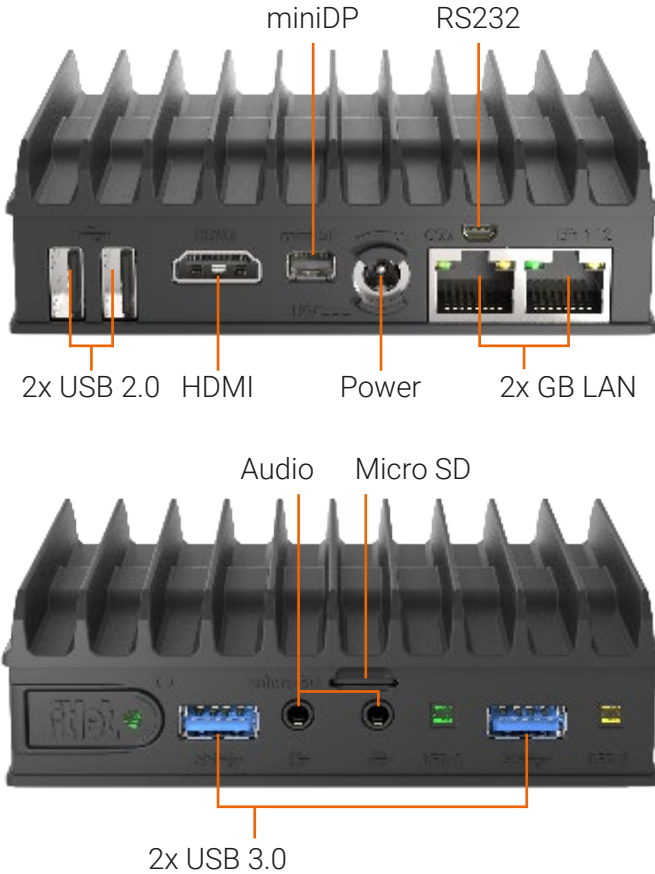
## Software

<b>BIOS</b>	? (Phoenix BIOS Unterstützte Bootmedien: USB thumb drive, USB hard disk, Netzwerk)
<b>OS</b>	Windows 10 Linux (andere Betriebssysteme können durch den Anwender installiert werden)

## Operating Conditions

<b>case</b>	100% Aluminium / im Druckgussverfahren hergestellt
<b>measurement</b>	112 mm x 84 mm x 34 mm
<b>weight</b>	350g
<b>operating temperature</b>	-40°C - 70°C
<b>power supply</b>	12V Netzteil
<b>power consumption</b>	Im Idle Modus (S0): 5 - 15 Watt

### 1.3 Features



**USB**

Pokini F has 2x USB 3.0 and 3x USB 2.0 Ports.

**Serial port**

RS232 mini-serial ports located on the back panel. Mini-serial to DB9 cable to connect to standard serial devices is supplied in the package

## Videosignal

The Pokini F2 has 1 HDMI connector and 1 mini-DP connector inclusive audio-support.

Using an HDMI-to-DVI cable to run an DVI-display with the Pokini F2.

Using an miniDP-to-DP cable to run an DisplayPort-display with the Pokini F2.

## Audio

There are 2 standard 3.5mm jacks on the front panel:

- |        |                                  |
|--------|----------------------------------|
| Left:  | ■ Stereo line-in                 |
|        | ■ SPDIF in using provided cable  |
| Right: | ■ Stereo line-out                |
|        | ■ SPDIF out using provided cable |

## LAN

Pokini F2 features a two or four 10/100/1000 Base-T LAN ports with RJ45-connectors. The LAN ports have integrated LED-lamps, which shows the connection status. Pokini F2 supports PXE-Boot and Wake-on-LAN.

## WLAN

Pokini F2 features a internal 802.11ac WiFi module with two antennas.

## Power-Button

Pokini F has a tactile power push-button. It is used for turning on/off the PC and for standby/resume when supported by the operating system. A push of at least 5 seconds will always turn off the Pokini.

# Quick start guide

## 2.1 Connecting Pokini F

- Turn off the display and connect it to the Pokini HDMI connector (use the HDMI to DVI adapter if needed).
- Connect the USB keyboard and mouse to USB ports.
- Plug the speakers in the line-out connector.
- Plug the Ethernet cable into the Ethernet connector.
- Only Pokini F2 WLAN: Mount Wifi antennas on SMA connectors by turning it clockwise repeatedly until the antenna holds firm.
- Firmly Insert the DC plug into the Pokini F DC-in jack (1). Rotate plug clockwise 90° to secure (2).



- Connect the power supply to the AC cord and plug the cord into AC outlet.

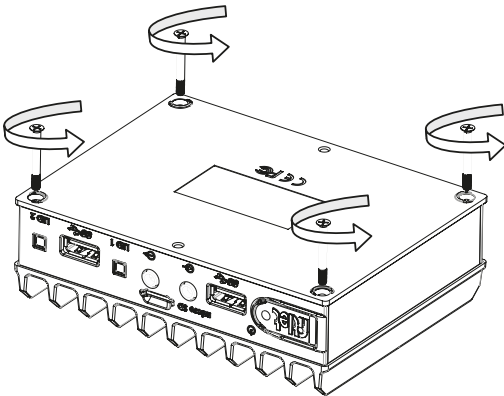
## 2.2 Booting Windows (for Pokini with Windows pre-installed)

Upon first power-up, you will be guided through the Windows Welcome procedure which is self-explanatory.

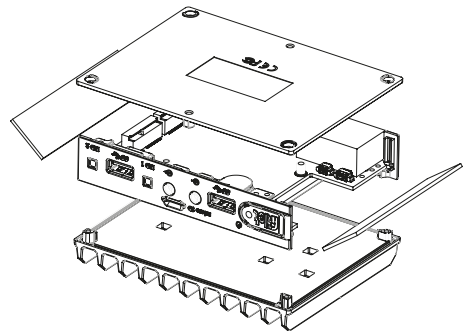
# Service

Pokini F has no moving parts and requires no maintenance. The following operations could be done by the user.

## 3.1 Access to storage, SIM, miniPCle and battery



Open the bottom cover by unscrewing 4 philips-head screws.



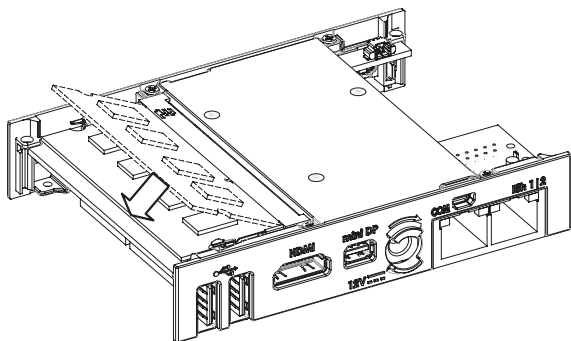
Now Side panels and cover can be removed.



## 3.2 To access SSD

The M.2 SSD and the mini-PCIe interface are located on the M.2 cooling plate. Loosen the three screws of the cooling plate and carefully pull the M.2 SSD including the cooling plate out of the interface.

## 3.3 To access RAM



The RAM is located under the top cover of the Pokini F2.

**Re-assemble in reverse order.**

# BIOS

## Entering BIOS Setup Utility

Turn off Pokini F. Turn on while holding down the Del key.

# Drivers

All drivers can be find here:

[pokini.de/downloads/#pokini-f2](https://pokini.de/downloads/#pokini-f2)



# Support

## You have any technical questions?

If you have problems or questions, please contact us by e-mail:  
**[support@pokini.de](mailto:support@pokini.de)**

V1.1 / 07-2021

EXTRA Computer GmbH  
Brühlstr. 12  
89537 Giengen-Sachsenhausen  
Deutschland/ Germany

all rights reserved

**[www.pokini.de](http://www.pokini.de)**