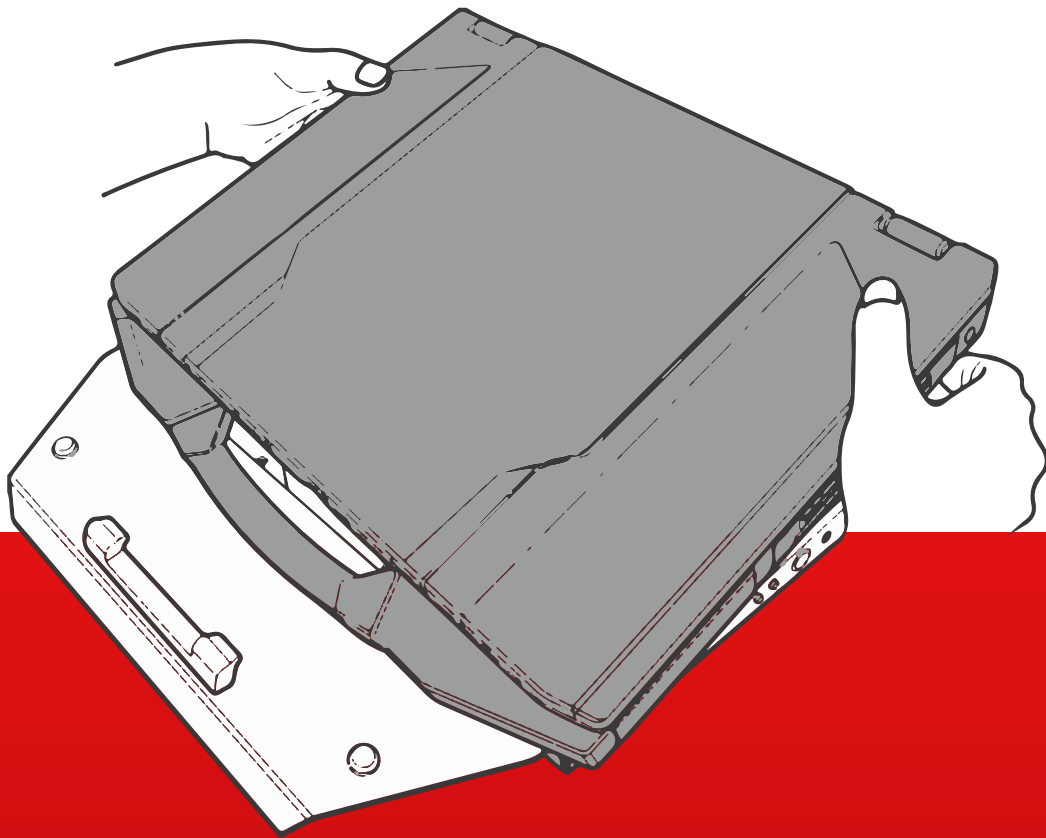


# ***Pokini***

## **N14 Office Dock**

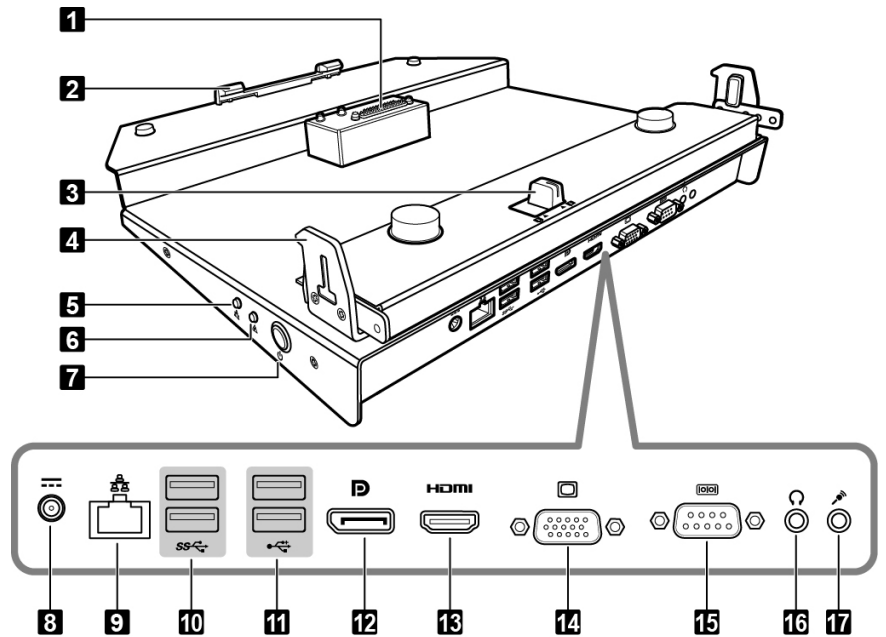


### **Quick Start Guide**

English

## Product Overview

No.	Item
1	Terminal
2	Alignment bracket
3	Lock/Unlock switch
4	Lock latch
5	LAN LED
6	Power LED
7	Power button
8	DC-in jack
9	Ethernet port
10	2x USB3.0 ports
11	2x USB2.0 ports
12	DP (DisplayPort) port
13	HDMI port
14	VGA port
15	Serial port
16	Audio out jack
17	Microphone input jack



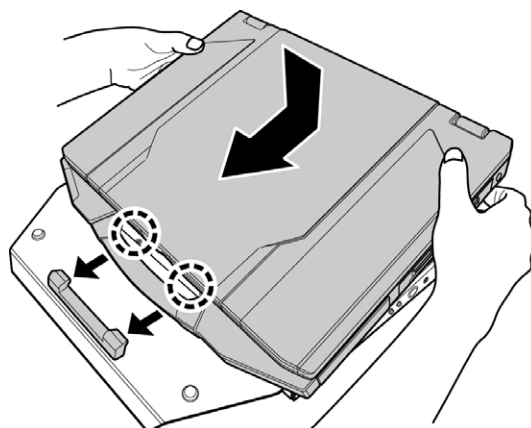
## LED Indicator Behavior

LAN LED	Indicates the wired network connection status: <ul style="list-style-type: none"> <li>• Green: a link is established</li> <li>• Flashing Green: when there is activity on the port</li> </ul>
Power LED	The LED light stays on when the AC power is plugged in.

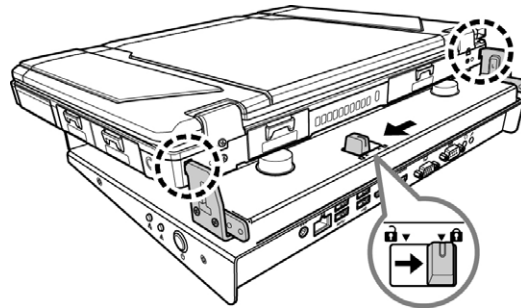
## Docking the Laptop PC

1. Align the Laptop PC by the alignment bracket and terminal contact and then place the Laptop PC onto the docking cradle.

**Be sure to insert the handle side first as shown the illustration.**

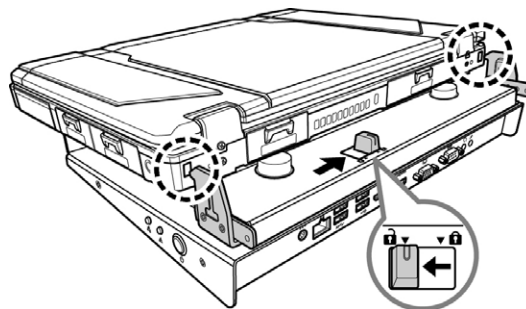


2. Slide the Lock/Unlock switch to the lock position to secure the Laptop PC to the docking cradle.

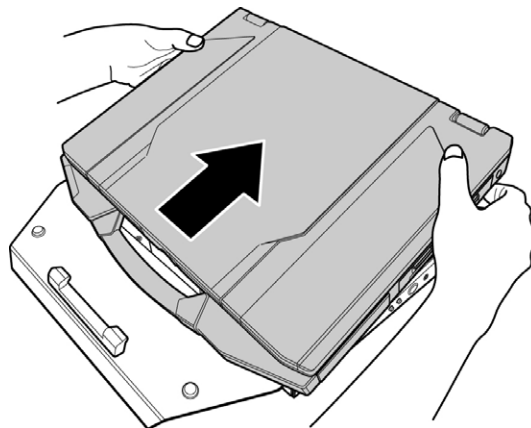


## Undocking the Laptop PC

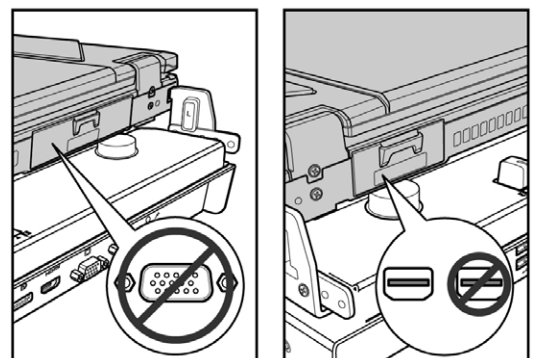
1. Slide the Lock/Unlock switch to the unlock position to disengage the connection.  
**Be sure the device is properly turned off.**



2. Lift to remove the Laptop PC.



- If the Laptop PC is equipped with a second LAN port, its functionality will not be affected while the Laptop PC is locked to the docking cradle.
- If the Laptop PC is equipped with an HDMI port and VGA port, then the VGA port on the Laptop PC is disabled while the Laptop PC is locked to the docking cradle.
- If the Laptop PC is equipped with dual mini DP ports and VGA port (or dual LAN ports), then the mini DP port on the right side is disabled while the Laptop PC is locked to the docking cradle.



# Support

You have any technical questions?

If you have problems or questions, please contact us by e-mail:

**[support@pokini.de](mailto:support@pokini.de)**

***Pokini.de***

V 1.0 / 04-2020

All rights reserved. © 2020 EXTRA Computer GmbH  
Brühlstr. 12  
89537 Giengen-Sachsenhausen  
Deutschland / Germany