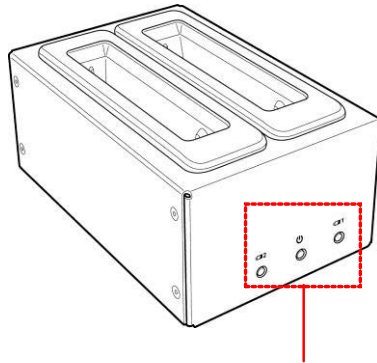


BATTERY CHARGER

With this external 2-bay battery charger, you can charge the approved batteries directly without plugging them into the notebook.

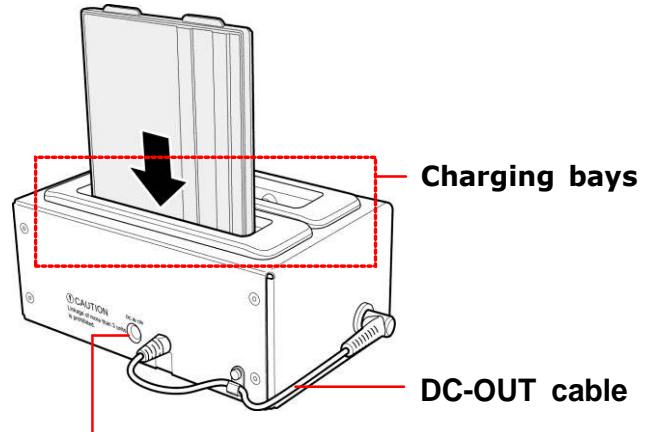
About the Battery Charger

FRONT VIEW



LED indicators

REAR VIEW



DC-IN jack

Charging bays

DC-OUT cable

LED Indicators

Icon	Item	LED Color and Status	
	Battery indicator	Green	Charging complete
		Orange	Battery charging
		Off	No battery is inserted
❖ The Green LED lights up when the battery is at 95% charged. For 100% fully charged pack, user will need to leave the pack to be charged for longer.			
	Power indicator	Green	19V DC power is supplied
		Off	No power supply

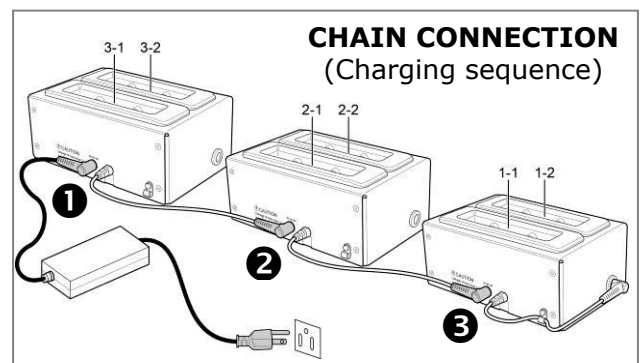
Using the Battery Charger

1. Connect the charger unit to an electrical outlet using the power adapter.
2. Insert the battery into the designated charging bay.

Each charger has two charging bays and can support chain connection to another charger using the attached DC-OUT cable, for at most up to total of 3 chargers.

When chargers are chain connected, the battery charging starts from the furthest battery pack in the chain away from the power adaptor. (The charging sequence is shown in the right figure: 1-1, 1-2, 2-1, 2-2, 3-1, 3-2)

Normal charging time will vary by the capacity and type of battery packs.



NOTE

- Use only the designated power adapter (19V/65W) to avoid damage to the charger.
- Charging time may vary depending on the remaining battery capacity.