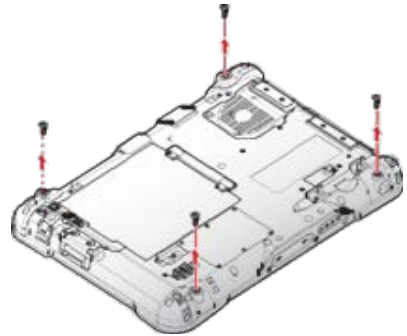
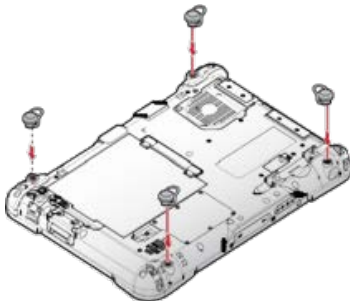


## Handstrap, Carrying Handle and Shoulder Strap

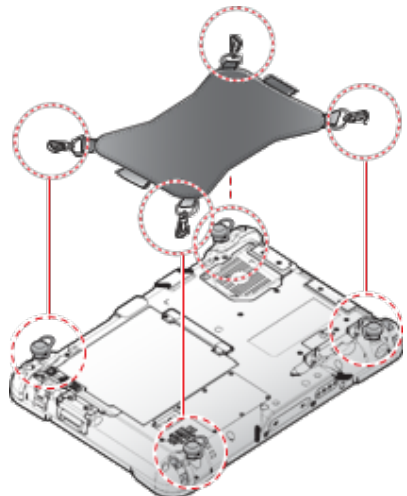
The Tab K10 can be optionally equipped with a handstrap, a carrying handle or a shoulder strap for convenience and choice. Select the accessory that is right for your needs. The handstrap can be installed with either the shoulder strap or the carrying handle. However, the handle and shoulder strap can not be installed together due to space constraints.

### Connecting / Remove the Handstrap

1. Remove the screws securing the bumpers.



2. Install the D-rings.

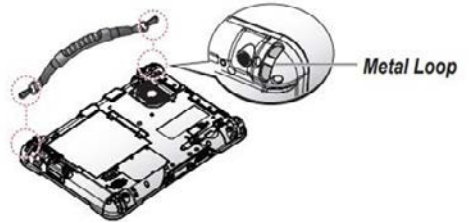


3. Connect the handstrap on the D-rings.

When the handstrap is installed, the digitizer can be placed under the strap.

## Connecting / Remove the Carrying Handle

1. Attach the clips to the metal loop on the bumper.



## Connecting / Remove the Shoulder Strap

1. Attach the clips to the metal loop on the bumper.