

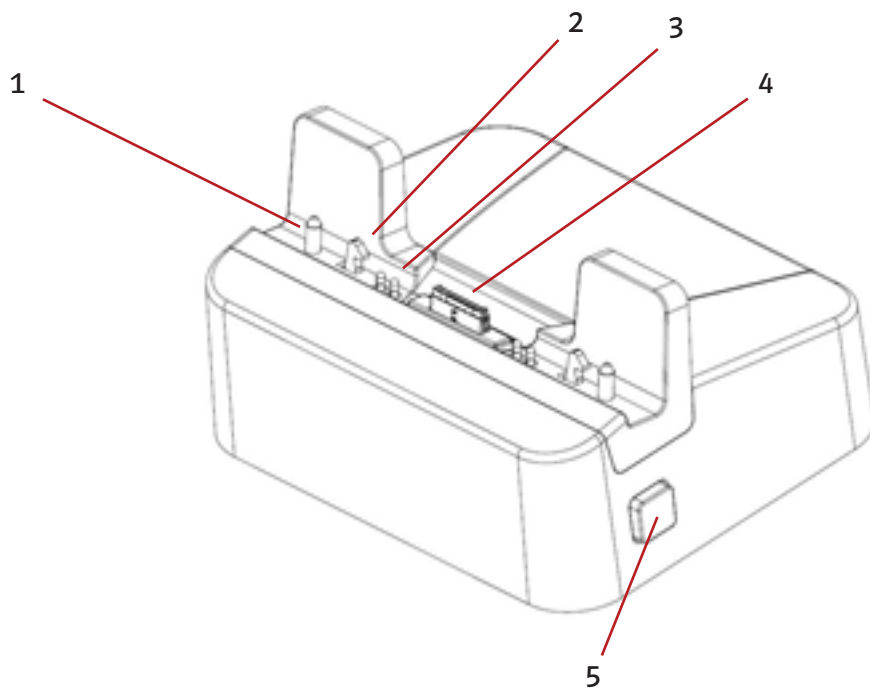
***Pokini* TAB**

Dockingstation



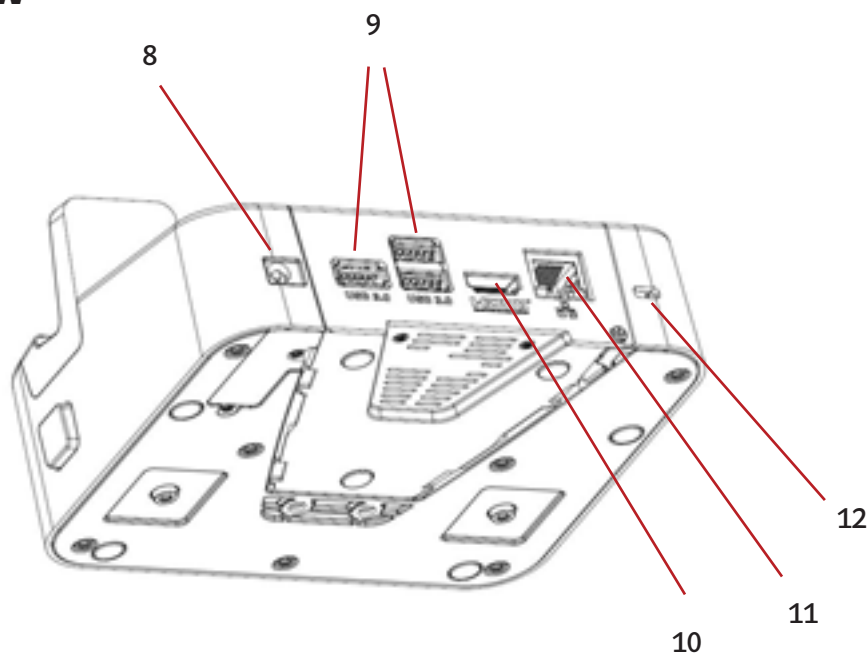
Pokini Tab Dockingstation features, buttons & interfaces

Front



1	Guiding Pins
2	Kensington Lock Hooks (for full dock only)
3	Charging Pins
4	Docking Connector (for full dock only)
5	Release Button (for full dock only) (Push to release docked tablet)

Rear view



8	Power supply connector
9	USB 3.0 ports (for full dock only)
10	HDMI port (for full dock only)
11	LAN (RJ45) port (for full dock only)
12	Kensington Lock hole

Important Product and Safety information

- Do not drop, bend or twist your dock. This can break dock internal circuit boards or mechanics.
- Do not try to disassembly your dock. This may damage the device.
- Operate your device in a place where temperature is between -10°C and +50°C.
- Store your device in a place where temperature is between -20°C and +60°C.
- Protect your device from water and moisture intake.
- Use only soft, clean and dry lint-free cloth to clean your device.
- Keep the unit and accessories away from small children.
- Switch off your device in any area with a potentially explosive atmosphere.
- Use only power supply delivered with your dock.
- Do not disconnect charger by pulling the cord.
- Do not use damaged power cords or plugs.
- **Save energy.** You can save energy by doing following.
 - Close unused applications and data connections.
 - Decrease screen brightness and sound volume.
 - Deactivate unnecessary sounds like touch panel sound.
 - Disconnect your charger from mains outlet when charger is not needed.
 - Do no keep unnecessary accessories connected in your device.
- **Recycle.** Return your used electronic units to dedicated collection points.

EU Declaration of Conformity

Hereby, EXTRA Computer GmbH declares that this device is in compliance with the essential requirements and other relevant provisions of Directive 1999/5/EC.



Federal Communications Commission (FCC) Statement

15.105(b)

This equipment has been tested and found to comply with the limits for a Class B digital device, pursuant to part 15 of the FCC rules. These limits are designed to provide reasonable protection against harmful interference in a residential installation. This equipment generates, uses and can radiate radio frequency energy and, if not installed and used in accordance with the instructions, may cause harmful interference to radio communications. However, there is no guarantee that interference will not occur in a particular installation. If this equipment does cause harmful interference to radio or television reception, which can be determined by turning the equipment off and on, the user is encouraged to try to correct the interference by one or more of the following measures:

- Reorient or relocate the receiving antenna.
- Increase the separation between the equipment and receiver.
- Connect the equipment into an outlet on a circuit different from that to which the receiver is connected.
- Consult the dealer or an experienced radio/TV technician for help.

This device complies with Part 15 of the FCC Rules. Operation is subject to the following two conditions:

1. this device may not cause harmful interference and
2. this device must accept any interference received, including interference that may cause undesired operation of the device.

Canada, Industry Canada (IC)

Canada, Industrie Canada (IC)

This Class B digital apparatus complies with Canadian CAN ICES-3 (B)/NMB-3(B) - 2012.

Cet appareil numérique de classe B est conforme à la norme CAN ICES-3 (B)/NMB-3(B) - 2012.