

Pokini **Tab A6**



Core & Flip variants
Specification

English

Contents

Pokini Tab A6 CORE Specifications	3
Display & Touch - Display, Touch, Cover Glass	
Operating System	
Platform, Memory & Connectivity	
Cameras - Front Camera	
Interfaces - Hard keys	
Internal battery	
Maximum Values	
Mechanical	
Drawings	
Pokini Tab A6 Flip	8
Overview & Generic Features	
Flip Variants - 8MP camera, 2D barcode scanner	

Pokini Tab A6 CORE Specifications

Display & Touch

Display

Diagonal size	5.5" / 13,97 cm
Resolution	FullHD (1080 x 1920 px)
Number of colors	16.7M
Contrast	1000:1
Brightness (typ.) - measured with TP	440 cd/m ²
Brightness (typ.) - LCD only	490 cd/m ²
Viewing angle (up/down and left/right)	160°
Display type	IPS
Display lifetime (till 50% of brightness)	min. 15,000 h

Touch

Type	Capacitive
Number of simultaneous points	5
Passive pen support	Yes
Active pen support	No
Touch with gloves	Yes, supported*, one touch point only
Palm rejection	Yes
Usable in rain	Yes, one touch point only
Touch Controller	Synaptics S7611

max. material thickness 2 mm, depends on type of glove

Cover Glass

Gorilla Glass Type 4

Operating System

Supported operating systems

- Windows 10 IoT
- Android 6.0 (optional)

Platform, Memory & Connectivity

Processor	Intel Atom™ Z3745 Quad-core 1.8 GHz
Video features	Intel HD Graphics Intel Quick Sync Video Intel Insider™ Intel Wireless Display Intel Clear Video HD External display support: Up to 1920x1080 px, 60Hz Intel Wireless Display
Memory	4GB (2GB optional) LPDDR3 64bit 2-ch Up to 17.1GB/s peak memory bandwidth
Storage	64 GB (32 / 128 optional)
MicroSDXC cards	Lines available for use in custom frames, no slot in CORE or Flip frames, supports up to 2TB cards
Wireless connectivity	WLAN IEEE 802.11 a/b/g/n 2x Dual band WiFi antenna Bluetooth 4.0 + HS (class 2 or 1 up to 7dBm) Bluetooth profiles: depends on operating system
GNSS	GPS / GLONASS TTFF cold start <30s@-130dBm Warm start <30s@-130dBm Hot start <5sec@-130 dBm GPS Sensitivity Acquisition: -147 dBm Tracking: -158 dBm

NFC (supported formats depend on used OS)	<p>NXP PN548, antenna in accessory frame</p> <p>Supported RF protocols:</p> <ul style="list-style-type: none"> • NFCIP-1, NFCIP-2 protocol • NFC Forum device 1.3 • ISO/IEC 14443A, ISO/IEC 14443B PICC mode designed according to EMVCo PICC • ISO/IEC 14443A, ISO/IEC 14443B PCD designed according to NFC Forum digital protocol T4T platform and ISO-DEP • FeliCa PCD mode • MIFARE PCD encryption mechanism (MIFARE 1K/4K) • NFC Forum tag (MIFARE Ultralight, Jewel, Open FeliCa tag, DESFire) • ISO/IEC 15693/ICODE VCD mode • NFCIP-1, NFCIP-2 protocol • FeliCa PICC mode • MIFARE PICC mode
Sensors	<p>Accelerometer</p> <p>Ambient light sensor</p>
Security	<p>Intel OS Guard (SMEP)</p> <p>Intel Secure Key (PPDRNG)</p> <p>Intel Platform Trust Technology (fTPM)</p> <p>Trusted Platform Module (TPM) 2.0</p> <p>Secure Boot</p>

Cameras

Front Camera

Resolution	2 MP
Focus type	Fixed-focus
f-number / aperture	f/2.0
Focal length	2.01 mm
Focus area, focus distance	0.29 m to 1.72 m, 50 cm
Flash	NONE
Image resolution & file types	1920 x 1080 px, JPEG
Video modes	1080p (FullHD, 1920 x 1080), Frame rate 30 fps

Interfaces

Rear Interface	Samtech FS5-30-04.0-L-DV-TH-TR Dual 60pin connector for TOP and BOTTOM accessory. Please check the HDK for further details
----------------	---

Hard keys

Power / Reset button	<p>Power ON</p> <ul style="list-style-type: none">• Short press (>0.01 sec) required to power ON the device. <p>Forced shutdown (HW reset)</p> <ul style="list-style-type: none">• Holding down the power key more than 10 sec will performed forced shutdown. <p>Note : These are the values for typical configuration but might change based on PMIC configuration / BIOS settings. Mechanical durability min 20k cycles</p>
----------------------	---

Internal battery

Battery model	BYD AMME3360
Battery type	Li-Ion
Capacity	1500 mAh
Charging status indicator LED	Yes, on front of device and in the OS
Operating time (may vary based on use scenario)	Up to 3 hours
Stand-by time	Up to 10 days in connected stand-by

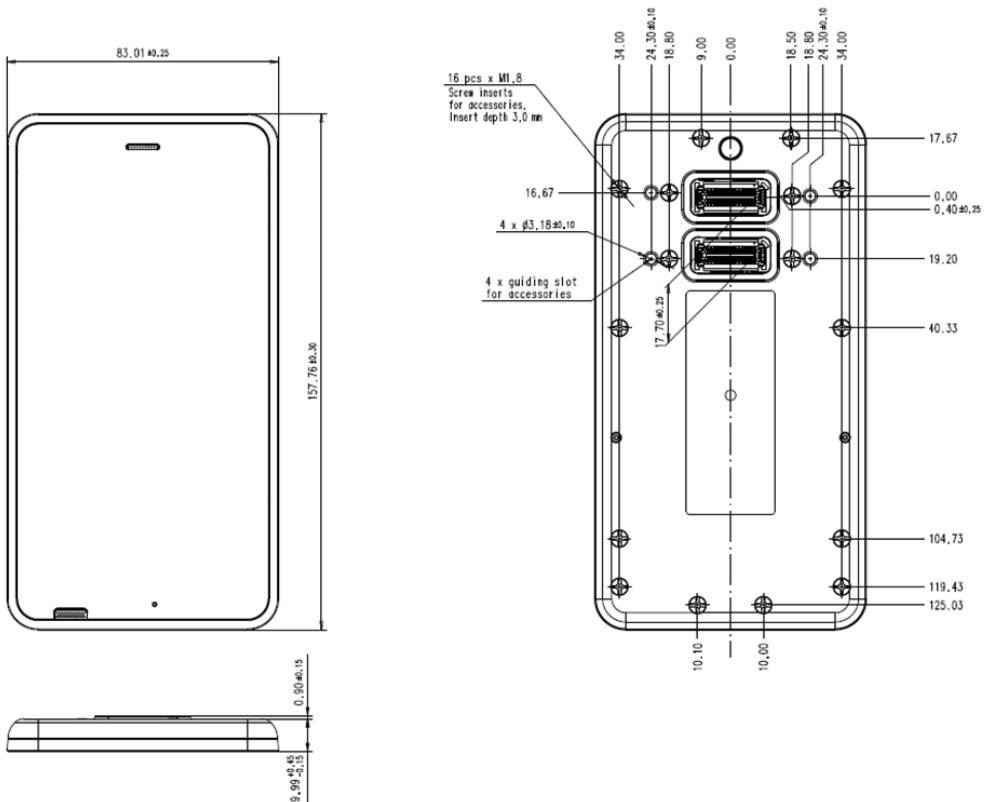
Maximum Values

Operating temperature range	-10°C to +50°C
Storage temperature range	-20°C to +60°C
Operating humidity	10% to 90%
Max. drop height	1.2 m according to MIL-STD-810
Vibration & Shock	Operating: Gms: 1.9gRMS, Frequency: 10-1000Hz Non-Operating: Gms: 4.1gRMS, Frequency: 10-1000Hz Test duration: 1 hour per each direction (x,y,z)

Mechanical

Dimensions (W x H x D)	157.8 x 83.0 x 9.99 mm
Weight	Approx. 190 g
IP class	Tested for IP 67 (dust tight, water tight protection) Only applies if all connector doors are sealed properly and no deformation of housing (e.g. after corner drops) is present
Others	Several mechanical fixing points (screw holes) at the back

Drawings



Pokini Tab A6 Flip

Overview & Generic Features



Grip	<p>The frame has a removable grip part (only Flip e355 variant). The grip part is a single plastic piece. The default grip part has strap string holder features. The grip part is fixed to A6 frame with one screw and guiding rails.</p> 
------	---

<p>Hand loop / safety cord mounting points</p>	<p>Both bottom corners of the A6 frame have a hand loop / security line attachment point.</p> 
<p>System Connector</p>	<p>The system connector is a standard USB-C (BYT design will support USB-C via bridge and next gen natively) and supports fast charging (12V/2A) also via side charging pads.</p> 
<p>Buttons</p>	<ul style="list-style-type: none">• Power• Shortcut operated left and right for convenient operation with both hands (usage for e.g. BCR) <p>Buttons withstand 500k press cycles.</p> 

Support

Sie haben Fragen technischer Art?

Bei Problemen oder Fragen wenden Sie sich bitte per E-Mail an:

support@pokini.de

Pokini

V 1.0 / 1-2019

Alle Rechte vorbehalten. © 2018 EXTRA Computer GmbH